

# Assembly Instructions

**CODE:** R-440

**DATE:** November 17, 1999

**SUBJECT:** Attaching the steering wheel and seat to knock-down tractors.

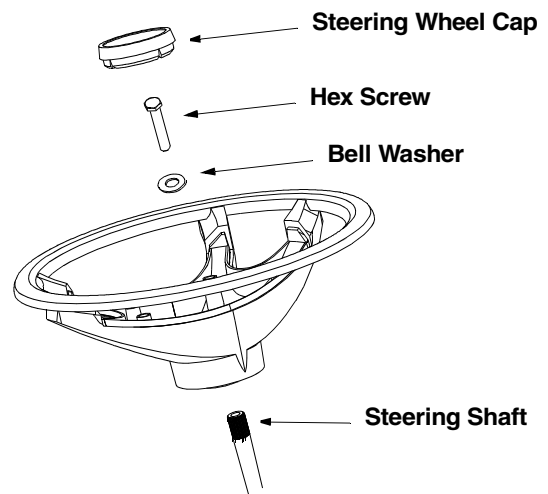
In the event your tractor was crated with the steering wheel and the seat removed for shipping reasons, use the following instructions to properly assemble the parts.



**WARNING:** Do NOT operate the tractor without first attaching both the steering wheel AND the seat. Doing so could result in serious injury to the operator.

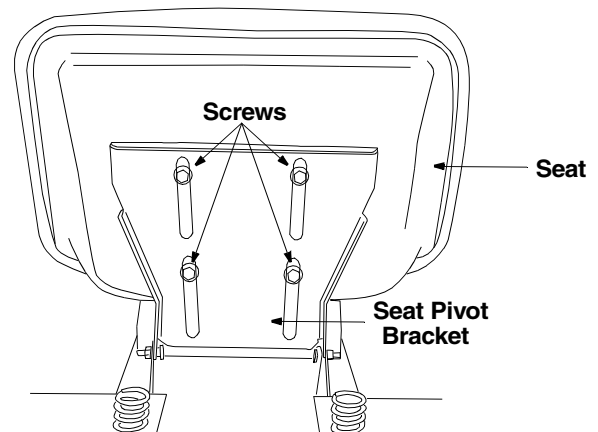
## Steering Wheel

- Using your hands, place the tractor's front tires in position for straight-ahead travel.
- Remove the steering wheel cap from the center of the steering wheel. Be careful not to lose the hex screw and bell washer found beneath it.
- Place the steering wheel (in position for straight-ahead travel) directly onto the steering shaft found in the center of the tractor's dash.
- Place the bell washer (cupped side DOWN) over the steering shaft.
- Thread the hex screw into the steering shaft and tighten securely.
- Reinsert the steering wheel cap in the center of the steering wheel.



## Seat

- Remove the four screws found threaded into the underside of the seat.
- Position the seat over the seat bracket on the tractor.
- Pivot both the seat and the seat pivot bracket forward so that the seat is resting on the steering wheel.
- Hand thread the screws removed earlier through the slots of the seat pivot bracket and into the holes in the underside of the seat.
- To adjust the position of the seat, slide the seat forward or backward until desired position is reached.
- Tighten the four screws securely.



**MTD PRODUCTS INC. P.O. BOX 368022 CLEVELAND, OHIO 44136-9722**

PRINTED IN U.S.A.

FORM NO. 770-1670  
(11/99)